



# PhilGEPS

Philippine Government Electronic Procurement System

Central Portal for  
Philippine Government  
Procurement Opportunities

## Bid Notice Abstract

### Request for Quotation (RFQ)

**Reference Number** 11851131  
**Procuring Entity** CARLOS HILADO MEMORIAL STATE UNIVERSITY  
**Title** Procurement of Fabrication and Installation of Two (2) Units Modular Table at the HRM Office - Talisay Campus  
**Area of Delivery** Negros Occidental

<b>Solicitation Number:</b>	RFQ 25-059	<b>Status</b>	Pending
<b>Trade Agreement:</b>	Implementing Rules and Regulations	<b>Associated Components</b>	1
<b>Procurement Mode:</b>	Negotiated Procurement - Small Value Procurement (Sec. 53.9)	<b>Bid Supplements</b>	0
<b>Classification:</b>	Goods	<b>Document Request List</b>	0
<b>Category:</b>	Furniture	<b>Date Published</b>	07/03/2025
<b>Approved Budget for the Contract:</b>	PHP 350,000.00	<b>Last Updated / Time</b>	06/03/2025 15:18 PM
<b>Delivery Period:</b>	30 Day/s	<b>Closing Date / Time</b>	14/03/2025 09:00 AM
<b>Client Agency:</b>			
<b>Contact Person:</b>	Rowena De la Vida Prado Administrative Assistant II Mabini Street Talisay City Negros Occidental Philippines 6115 63-34-7120005 Ext.142 63-939-9296624 bac.sec@chmsu.edu.ph		

#### Description

Republic of the Philippines  
 CARLOS HILADO MEMORIAL STATE UNIVERSITY  
 Talisay City, Negros Occidental  
 Mobile Phone Number: (0939) 929 6624  
 bac.sec@chmsu.edu.ph

#### REQUEST FOR QUOTATION

Date: MARCH 05, 2025  
 Quotation No.: 25-059

Please quote your lowest price on the item/s listed below, stating the shortest time of delivery and submit your quotation duly signed by your representative not later than \_\_\_\_\_ in the return envelope attached herewith.

DR. ANDREW EUSEBIO S.TAN  
 BAC Chairman

#### NOTE:

- ALL ENTRIES MUST BE TYPEWRITTEN
- DELIVERY PERIOD WITHIN 30 CALENDAR DAYS
- WARRANTY SHALL BE FOR A PERIOD OF SIX (6) MONTHS FOR SUPPLIES & MATERIALS, ONE (1) YEAR FOR EQUIPMENT, FROM DATE OF ACCEPTANCE BY THE PROCURING ENTITY
- PRICE VALIDITY SHALL BE FOR A PERIOD OF \_\_\_\_\_ CALENDAR DAYS
- G-EPS REGISTRATION CERTIFICATE SHALL BE ATTACHED UPON SUBMISSION OF THE QUOTATION
- BIDDERS SHALL SUBMIT ORIGINAL BROCHURES SHOWING CERTIFICATIONS OF THE PRODUCT BEING OFFERED

ITEM ITEM & DESCRIPTION QTY. UNIT UNIT PRICE TOTAL PRICE

NO. (Pls. indicate brand offered)

1 OFFICE TABLES, with Fabrication & Installation 2 sets

- 1 set (6 modular tables)

- 1 set (7 modular tables)

Note: Please see attached lay-out for reference

TOTAL

\*\*\*\*\*Nothing Follows\*\*\*\*\*

TOTAL ABC = Php 350,000.00

PROCUREMENT OF FABRICATION AND INSTALLATION OF 2 UNITS MODULAR TABLE AT HRM OFFICE- TALISAY

CAMPUS/J.J. MARQUEZ

PR# 25-120-0220 02-20-25

MDS 50-101-25-02 02-24-25

**Line Items**

Item No.	Product/Service Name	Description	Quantity	UOM	Budget (PHP)
1	Fabrication and Installation of Modular Table	.	2	Set	350,000.00

**Created by** Rowena De la Vida Prado

**Date Created** 06/03/2025

The PhilGEPS team is not responsible for any typographical errors or misinformation presented in the system. PhilGEPS only displays information provided for by its clients, and any queries regarding the postings should be directed to the contact person/s of the concerned party.



Republic of the Philippines  
**CARLOS HILADO MEMORIAL STATE UNIVERSITY**  
 Talisay City, Negros Occidental  
 Mobile Phone Number: (0939) 929 6624  
[bac.sec@chmsu.edu.ph](mailto:bac.sec@chmsu.edu.ph)

## REQUEST FOR QUOTATION

Date: MARCH 05, 2025  
 Quotation No.: 25-059

Please quote your lowest price on the item/s listed below, stating the shortest time of delivery and submit your quotation duly signed by your representative not later than \_\_\_\_\_ in the return envelope attached herewith.

*(Signature)*  
**DR. ANDREW EUSEBIO S.TAN**  
 BAC Chairman

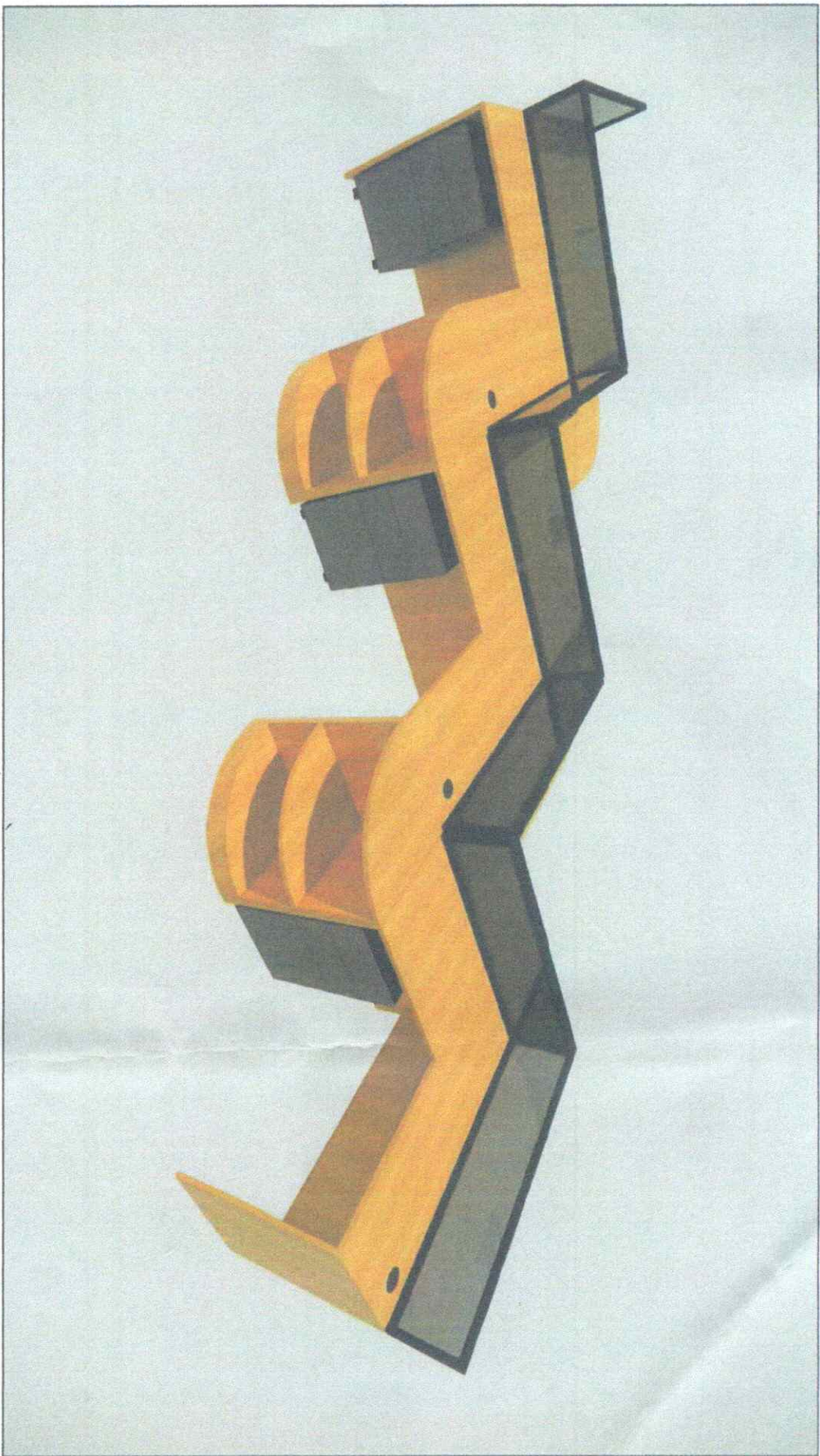
**NOTE:**

1. ALL ENTRIES MUST BE TYPEWRITTEN
2. DELIVERY PERIOD WITHIN   30   CALENDAR DAYS
3. WARRANTY SHALL BE FOR A PERIOD OF SIX (6) MONTHS FOR SUPPLIES & MATERIALS, ONE (1) YEAR FOR EQUIPMENT, FROM DATE OF ACCEPTANCE BY THE PROCURING ENTITY
4. PRICE VALIDITY SHALL BE FOR A PERIOD OF \_\_\_\_\_ CALENDAR DAYS
5. G-EPS REGISTRATION CERTIFICATE SHALL BE ATTACHED UPON SUBMISSION OF THE QUOTATION
6. BIDDERS SHALL SUBMIT ORIGINAL BROCHURES SHOWING CERTIFICATIONS OF THE PRODUCT BEING OFFERED

ITEM NO.	ITEM & DESCRIPTION <small>(Pls. indicate brand offered)</small>	QTY.	UNIT	UNIT PRICE	TOTAL PRICE
1	<b>OFFICE TABLES</b> , with Fabrication & Installation	2	sets		
	- 1 set (6 modular tables)				
	- 1 set (7 modular tables)				
	<i>Note: Please see attached lay-out for reference</i>				
	<b>TOTAL</b>				
	<b>*****Nothing Follows*****</b>				
	<b>TOTAL ABC = Php 350,000.00</b>				
	<b>PROCUREMENT OF FABRICATION AND INSTALLATION OF 2 UNITS MODULAR TABLE AT HRM OFFICE- TALISAY CAMPUS/J.J. MARQUEZ</b>				
	<b>PR#           25-120-0220   02-20-25</b>				
	<b>MDS          50-101-25-02   02-24-25</b>				

Date \_\_\_\_\_ By \_\_\_\_\_  
 Released (BAC) \_\_\_\_\_  
 Returned (Supplier) \_\_\_\_\_

\_\_\_\_\_  
 Printed Name/Signature  
 \_\_\_\_\_  
 Tel. No./Cellphone No.  
 \_\_\_\_\_  
 \_\_\_\_\_  
 Date



**PERSPECTIVE DRAWING**

SCALE

NDTS

 <p>Republic of the Philippines CARLOS HILADO MEMORIAL STATE UNIVERSITY Nagaon, Occidental Mindanao</p> <p>OFFICE OF THE PHYSICAL PLANNING AND MANAGEMENT</p>	<p>PROJECT TITLE: <b>FABRICATION AND INSTALLATION OF OFFICE TABLE AT HR OFFICE SECOND FLOOR ADMIN BUILDING</b></p> <p>PROJECT LOCATION: CHIMSU MAIN CAMPUS</p>	<p>PREPARED BY:  <b>ARNEL R. LATURNAS</b> UNIVERSITY GRADUATE</p>	<p>CHECKER:  <b>ENGR. GAUDENCIO DADO JR.</b> REGISTERED PROFESSIONAL ARCHITECT</p>	<p> <b>DIRECTOR FROM</b></p>	<p> <b>VICE PRESIDENT FOR ADMINISTRATION AND FINANCE</b></p>	<p>APPROVED BY:  <b>NORBERTO F. MANGULABNAN, PH.D.</b> SIC PRESIDENT III</p>	<p>SHEET NO.: <b>A</b></p> <p>PAGE NO.: <b>1</b></p>
--	--	--	--	---	---	---	--

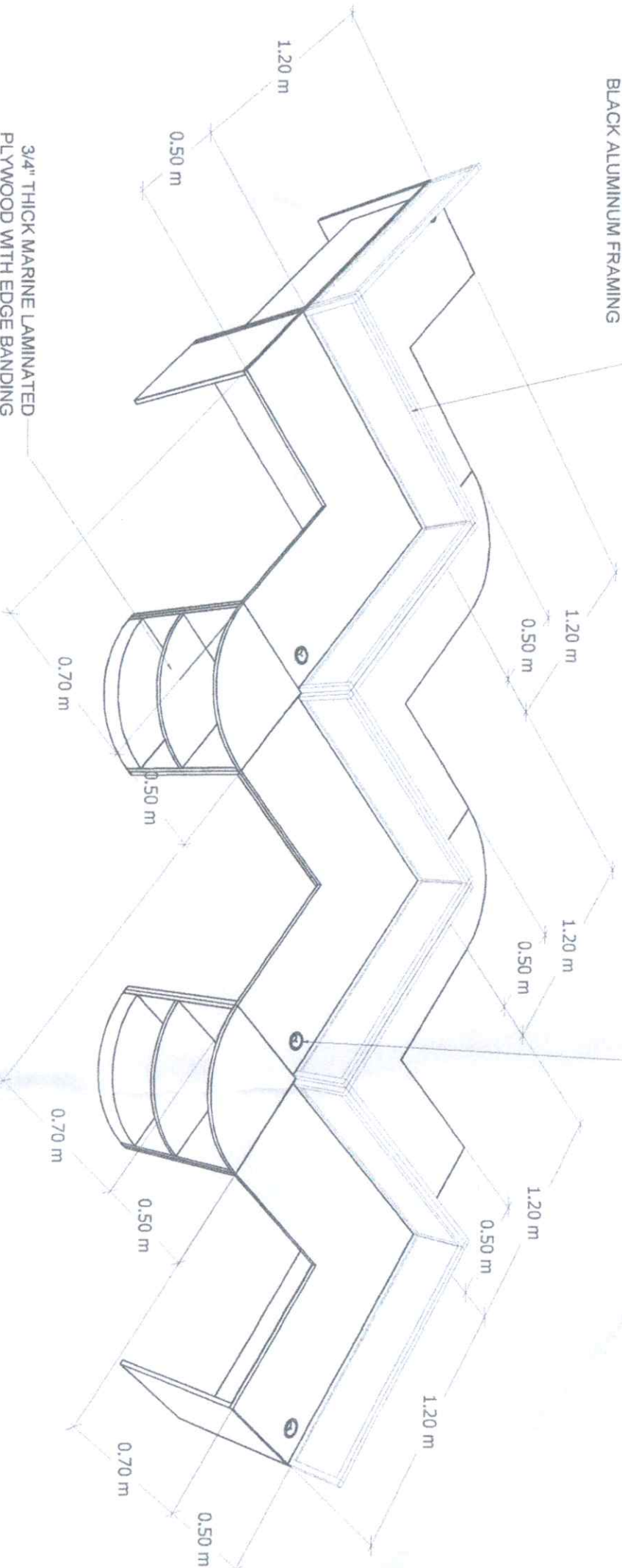
10/9

10/1/20

3/4" THICK MARINE LAMINATED  
PLYWOOD WITH EDGE BANDING  
SIDE PANEL & DIVISION

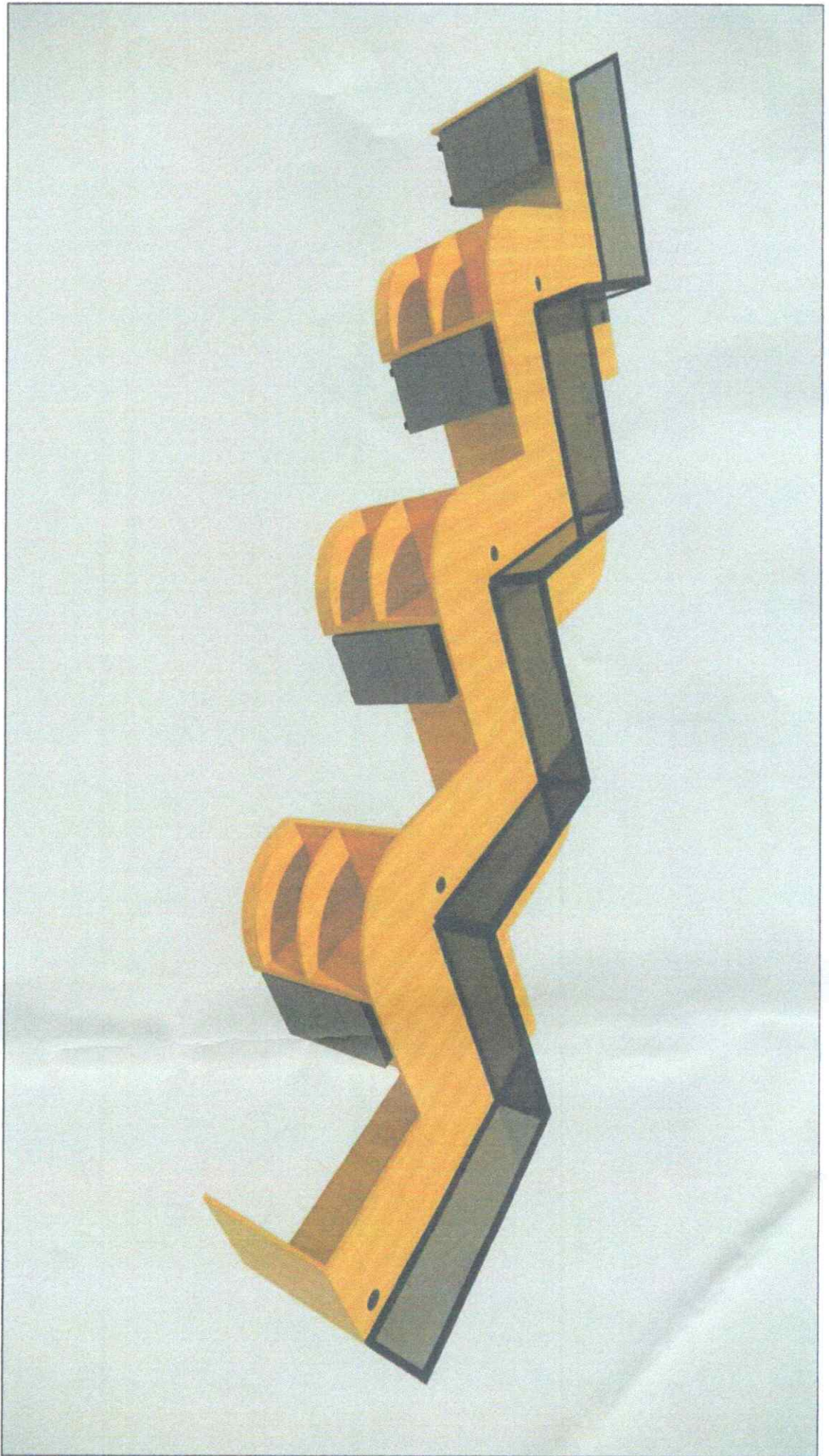
1/4" DARK GRAY GLASS ON  
BLACK ALUMINUM FRAMING

PROVIDE PLASTIC CABLE  
GROMMET COVER



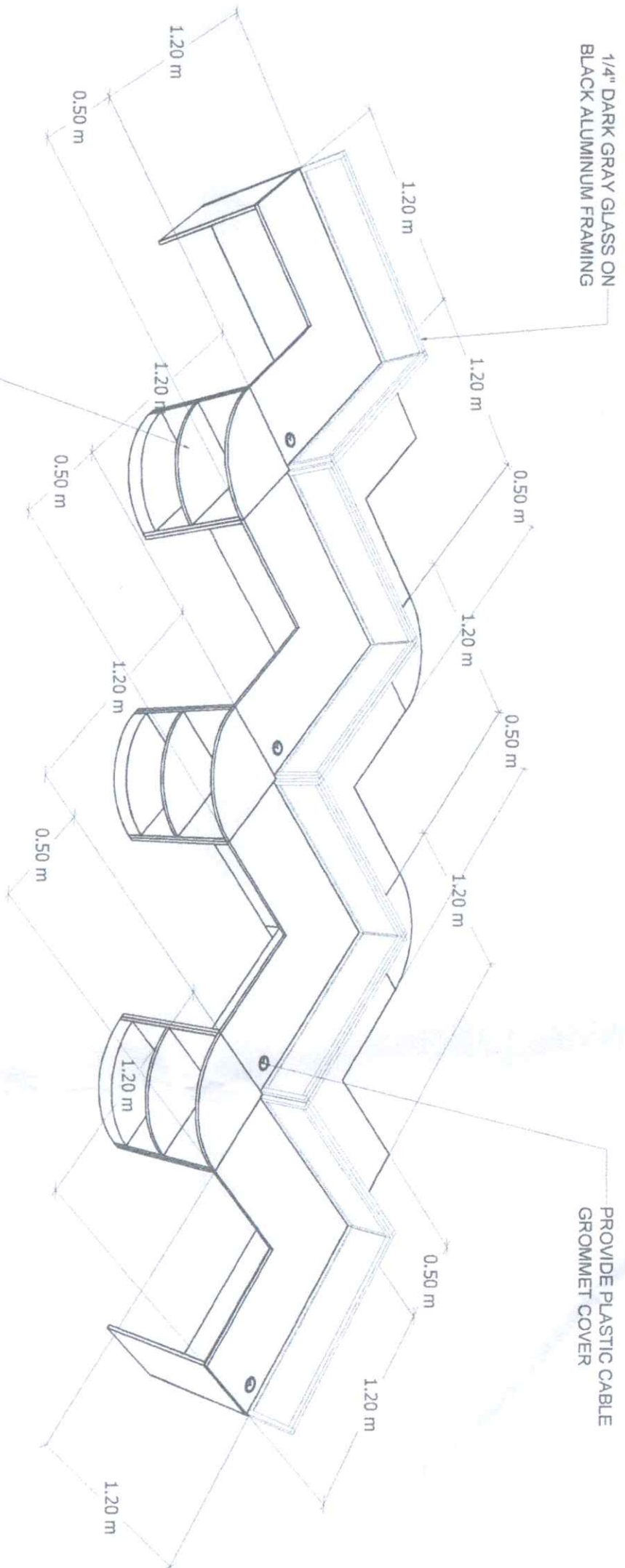
1 - UNIT ( 6 - MODULAR TABLE OFFICE )  
OFFICE TABLE DETAIL  
SCALE 1:50M

 <p>OFFICE OF THE PRESIDENT CARLOS MILAO ALMORA STATE UNIVERSITY Laguna Occidental</p>	<p>PROJECT TITLE FABRICATION AND INSTALLATION OF OFFICE TABLE AT HR OFFICE SECOND FLOOR ADMIN BUILDING PROJECT LOCATION: CMMSU MAIN CAMPUS</p>	<p>PREPARED BY: ARNEL R. LATURNAS UNIVERSITY DRAFTSMAN</p>	<p>CHECKED BY: ENGR. GABRIEL S. SORIANO JR. PROJECT ARCHITECT</p>	<p>DESIGNED BY: ENGR. JUN-JUN I. MORALES DIRECTOR FROM</p>	<p>APPROVED BY: ROSALINDA S. VILLALBA VICE PRESIDENT FOR ADMINISTRATION AND FINANCE</p>	<p>APPROVED BY: NORBERTO MANGULABMAN, Ph.D. VICE PRESIDENT III</p>	<p>SHEET NO. <b>A</b> PAGE NO. <b>2</b></p>
---	--	--	---	--	---	--	---



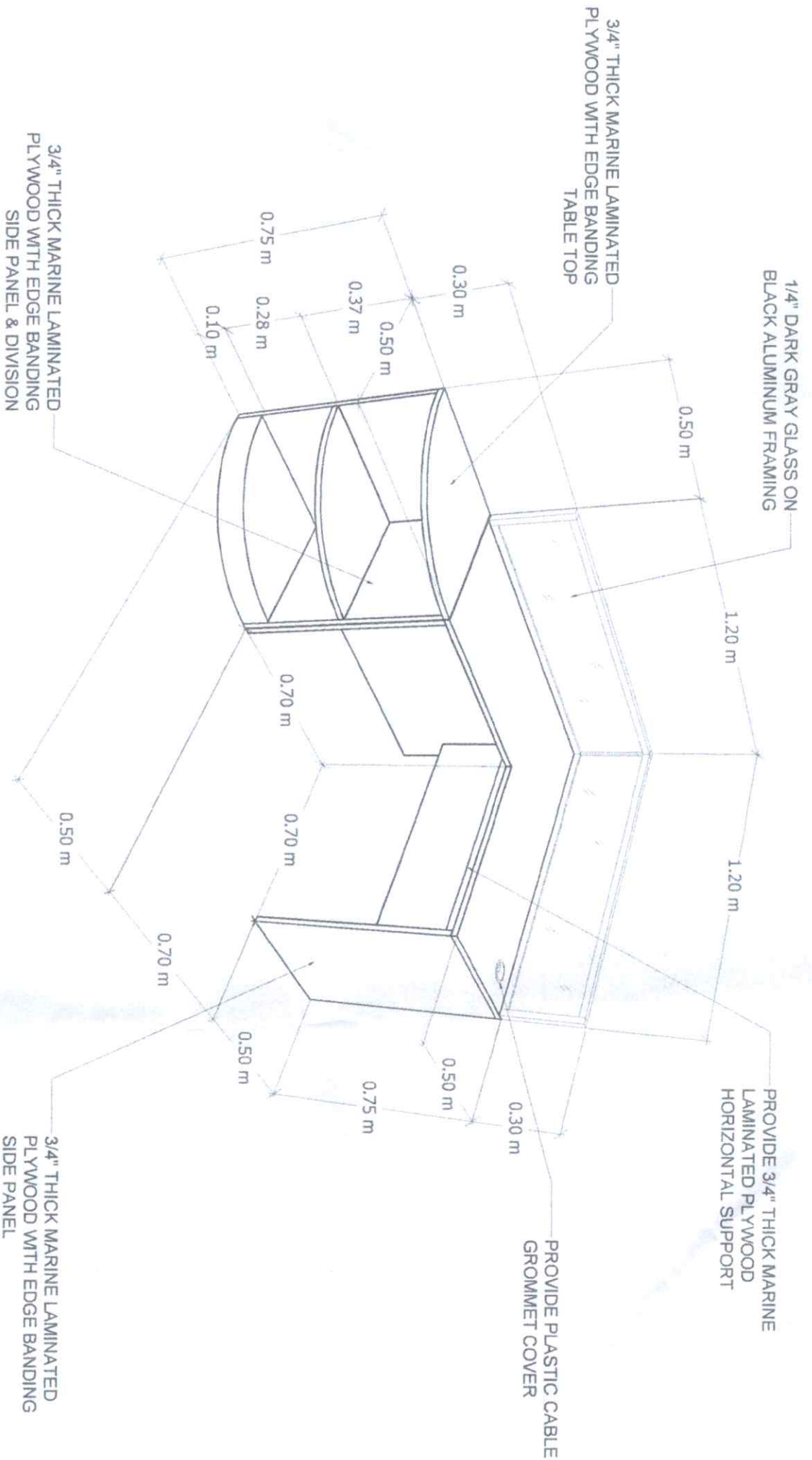
**PERSPECTIVE DRAWING**  
SCALE NDT'S

 Republic of the Philippines <b>CARLOS HILADO MEMORIAL STATE UNIVERSITY</b> Negros Occidental DIVISION OF THE PHYSICAL PLANT DEVELOPMENT AND MAINTENANCE	<b>PROJECT TITLE:</b> FABRICATION AND INSTALLATION OF OFFICE TABLE AT HR OFFICE SECOND FLOOR ADMIN BUILDING PROJECT LOCATION: CHASU MAIN CAMPUS	<b>PREPARED BY:</b>  <b>ARNEL R. LATURNAS</b> UNIVERSITY DESIGNER	<b>CHECKED BY:</b>  AR. GARRY M. SANTOS ENGR. GARRY M. SANTOS JR. PROJECT ARCHITECT	 ENGR. JUN-JUN J. M. REYES DIRECTOR	 ROSALINDA S. ADVICK VICE PRESIDENT FOR ADMINISTRATION AND FINANCE	<b>APPROVED BY:</b>  NORBERTO I. MANGULABANAN, PH.D. VICE PRESIDENT III	<b>SHEET NO.:</b> <b>A</b>	<b>PAGE NO.:</b> <b>3</b>
---	---	---	---	--	---	---	-------------------------------	------------------------------




1- UNIT ( 7 - MODULAR TABLE OFFICE )  
**OFFICE TABLE DETAIL**  
 SCALE 1:50M

 <p>OFFICE OF THE PRESIDENT        CAMIGUILAO ATENEO STATE UNIVERSITY        CAGAYAN DE ORO</p>	<p>PROJECT TITLE  <b>FABRICATION AND INSTALLATION OF OFFICE TABLE AT THE OFFICE SECOND FLOOR ADMIN BUILDING</b></p>	<p>PREPARED BY:    <b>ARNEL R. LATURNAS</b>        UNIVERSITY DRAFTERMAN</p>	<p>CHECKED BY:    <b>ENGR. JUN-JUN RODRIGUEZ</b>        DIRECTOR PROJEN</p>	<p>APPROVED BY:    <b>ROSALINDA S. TUIVOLA</b>        VICE PRESIDENT FOR ADMINISTRATION AND FINANCE</p>	<p>APPROVED BY:    <b>NORBERTO F. MANGULABNAN, Ph.D</b>        SUC PRESIDENT</p>	<p>SHEET NO.:  <b>A</b></p>	<p>PAGE NO.:  <b>4</b></p>
--	---	---	---	--	---	---------------------------------	--------------------------------

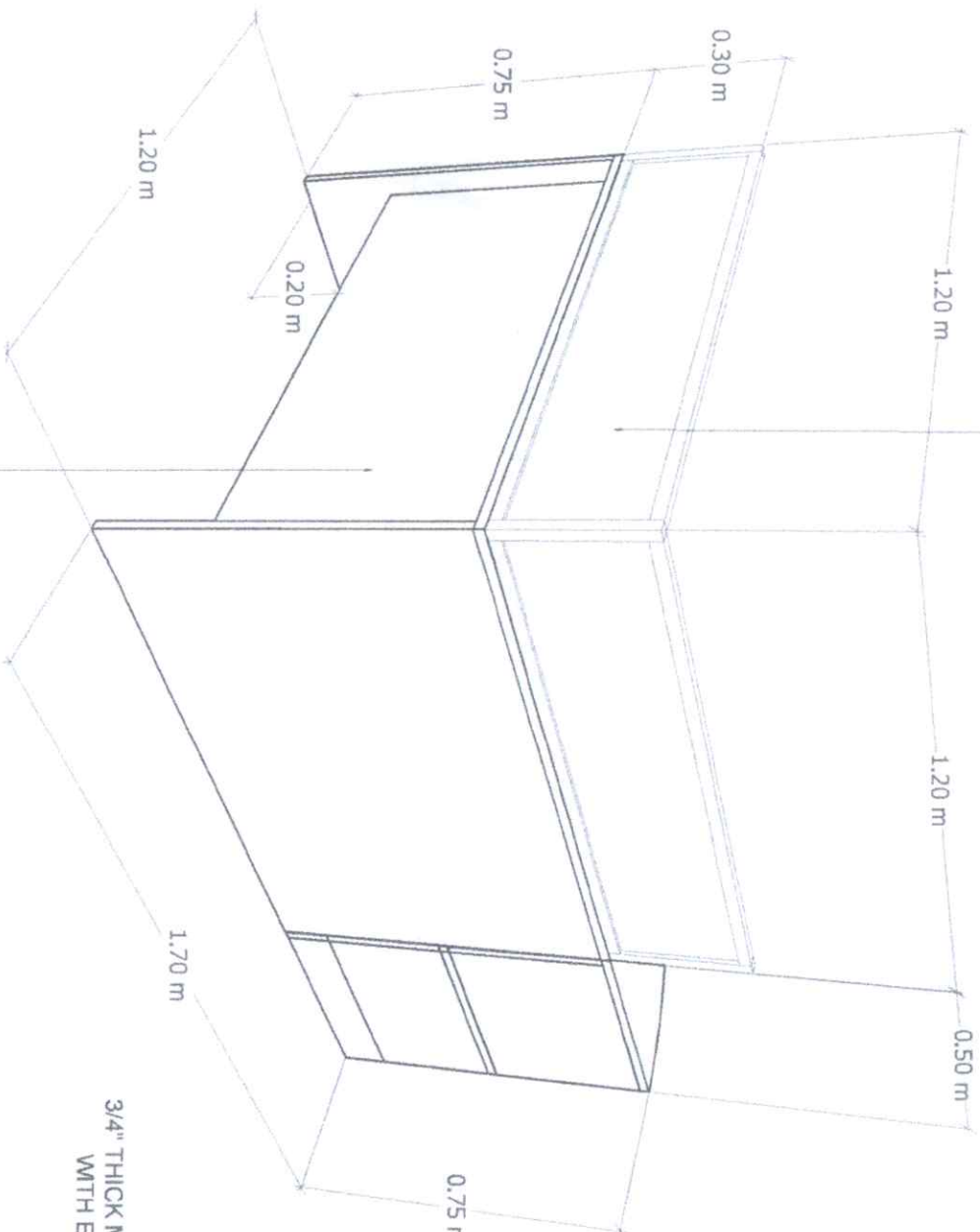


**INDIVIDUAL OFFICE TABLE DETAIL**  
SCALE: N.D.T.S.

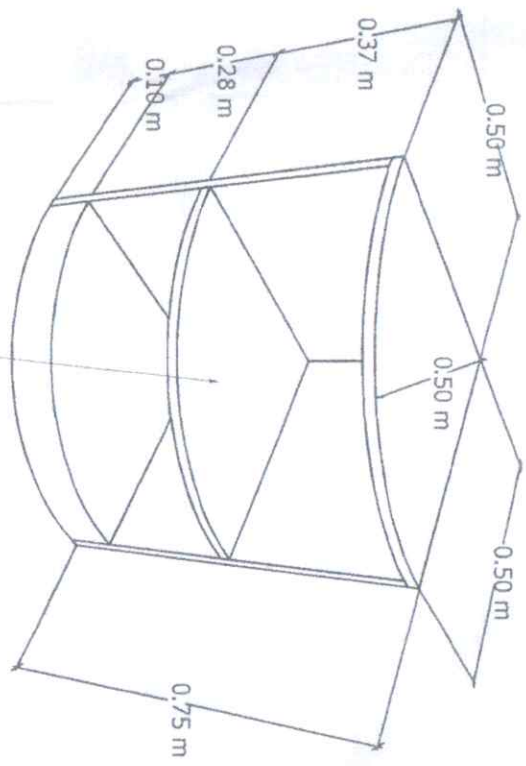
 <p>OFFICE OF THE VICE PRESIDENT FOR ADMINISTRATION AND FINANCE CAROLO HILADO MEMORIAL STATE UNIVERSITY Tagaytay, Cavendish</p>		<p>PROJECT TITLE: <b>FABRICATION AND INSTALLATION OF OFFICE TABLE AT HR OFFICE SECOND FLOOR ADMIN BUILDING</b></p>		<p>PREPARED BY: <i>Arnel R. Latuana</i> ARNEL R. LATUANA UNIVERSITY DESIGNER</p>		<p>CHECKED BY: <i>[Signature]</i> ENGR. CHRISTOPHER S. HOATO JR. UNIVERSITY DESIGNER</p>		<p>ENGR. RON-JUN J. MAQUIZ UNIVERSITY DESIGNER</p>		<p>ROSAUNDA S. VILLALBA VICE PRESIDENT FOR ADMINISTRATION AND FINANCE</p>		<p>APPROVED BY: <i>[Signature]</i> NORBERTO F. MANEJUANAN, Ph.D. SVC. PRESIDENT</p>		<p>SHEET NO.: <b>A</b></p>		<p>PAGE NO.: <b>5</b></p>	
--	--	--	--	--	--	--	--	--	--	---	--	---	--	----------------------------	--	---------------------------	--



1/4" DARK GRAY GLASS ON  
BLACK ALUMINUM FRAMING



3/4" THICK MARINE LAMINATED PLYWOOD  
WITH EDGE BANDING SHELVES PANEL



3/4" THICK MARINE LAMINATED PLYWOOD  
WITH EDGE BANDING FRONT PANEL

**INDIVIDUAL OFFICE TABLE DETAIL**  
SCALE

NDTS



OFFICE OF THE PRESIDENT OF THE PHILIPPINES  
CARLOS HILADO ALONSO  
STATE UNIVERSITY  
Davao City, Davao Region

PROJECT TITLE:  
FABRICATION AND INSTALLATION OF  
OFFICE TABLE AT HR OFFICE  
SECOND FLOOR ADMIN BUILDING  
PROJECT LOCATION: CHHUSU MAIN CAMPUS

PREPARED BY:  
ARNEL P. LATURNAS  
UNIVERSITY DRAFTSMAN

CHECKED BY:  
AR ARON...  
ENGR. G. A. ...  
PROJECT ENGINEER

ENGR. JUN J. MAALIEZ  
DIRECTOR FROM

ROSALINDA S. TUYUKA, EdD  
VICE PRESIDENT FOR ADMINISTRATION AND FINANCE

APPROVED BY:  
NORBERTO P. M. GULABMAN, PH.D.  
SUC PRESIDENT III

SHEET NO: **A**  
PAGE NO: **6**